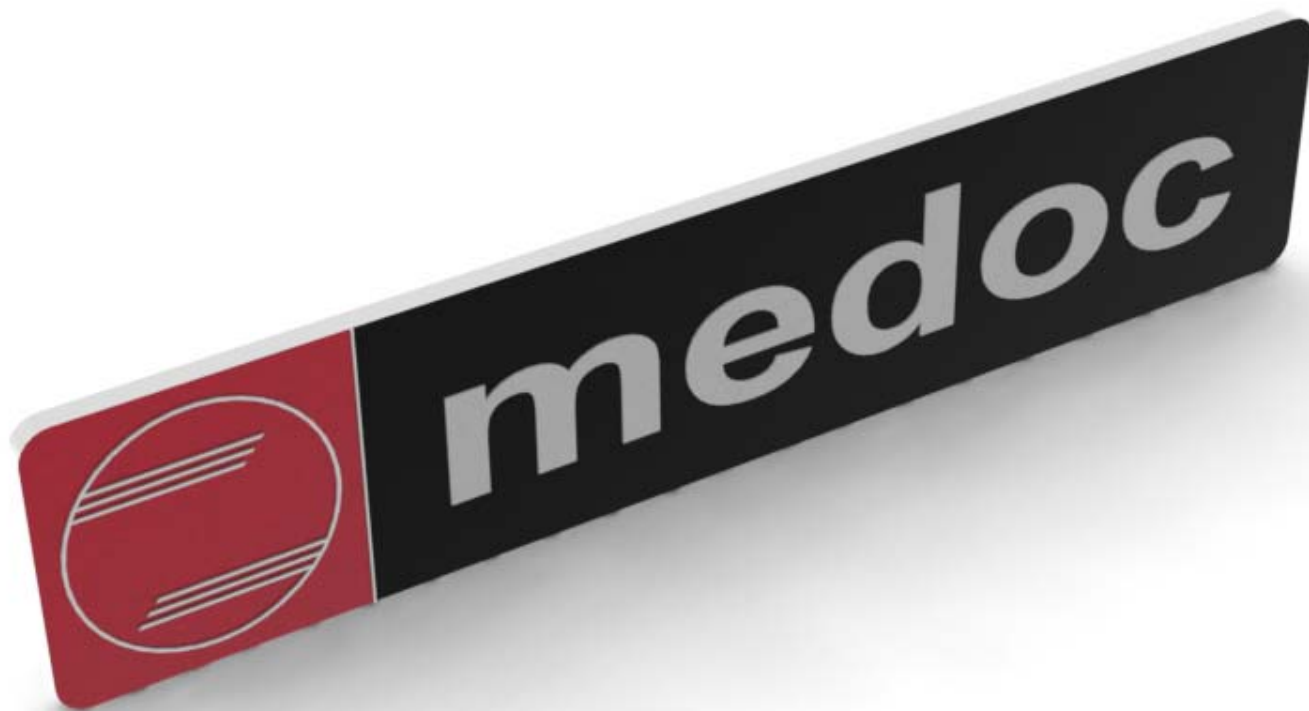


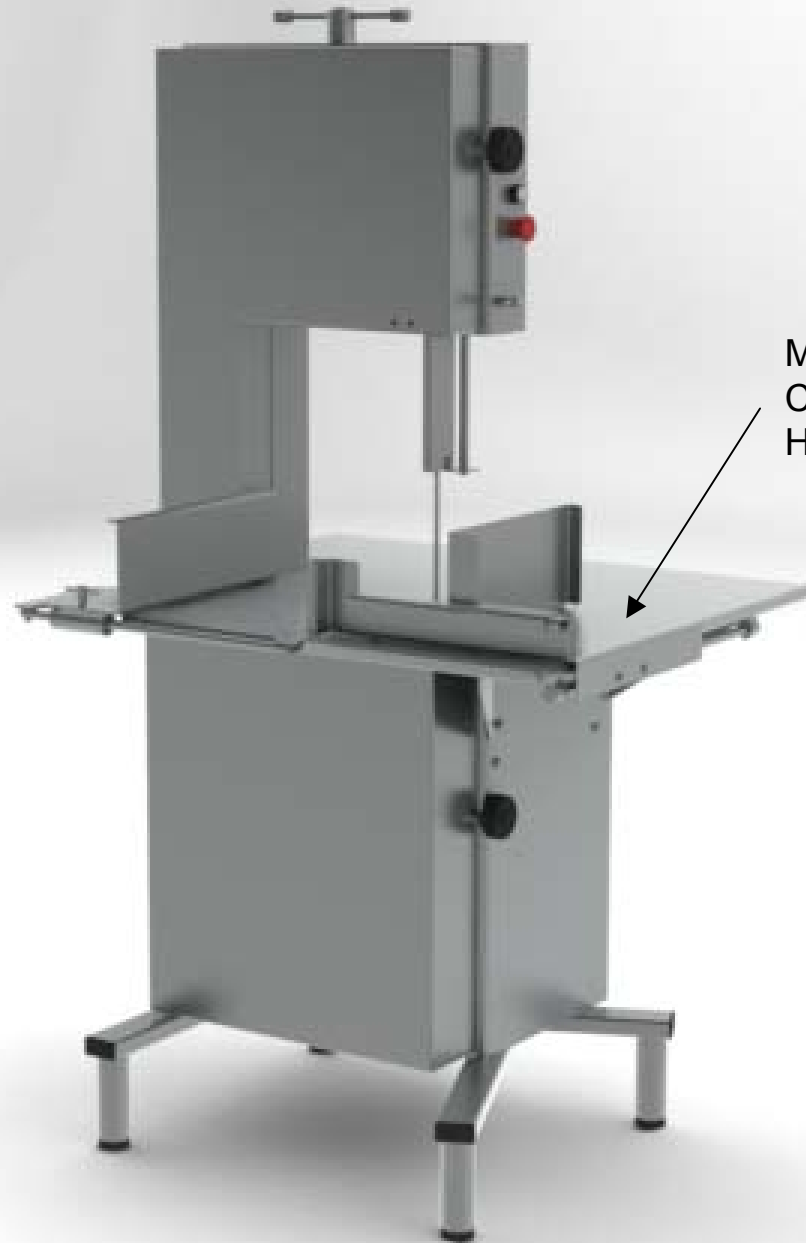
Sierra de cinta
Band saw
Scie

BGR 300-360-400-450



BGR-F

Mesa fija
Table fixe
Fix table



Medio carro
Chariot
Half sliding table

BGR-F

Mesa fija
Table fixe
Fix table



Medio carro
Chariot
Half sliding table

BGR-F

Mesa fija
Table fixe
Fix table



Medio carro
Chariot
Half sliding table

BGR-F

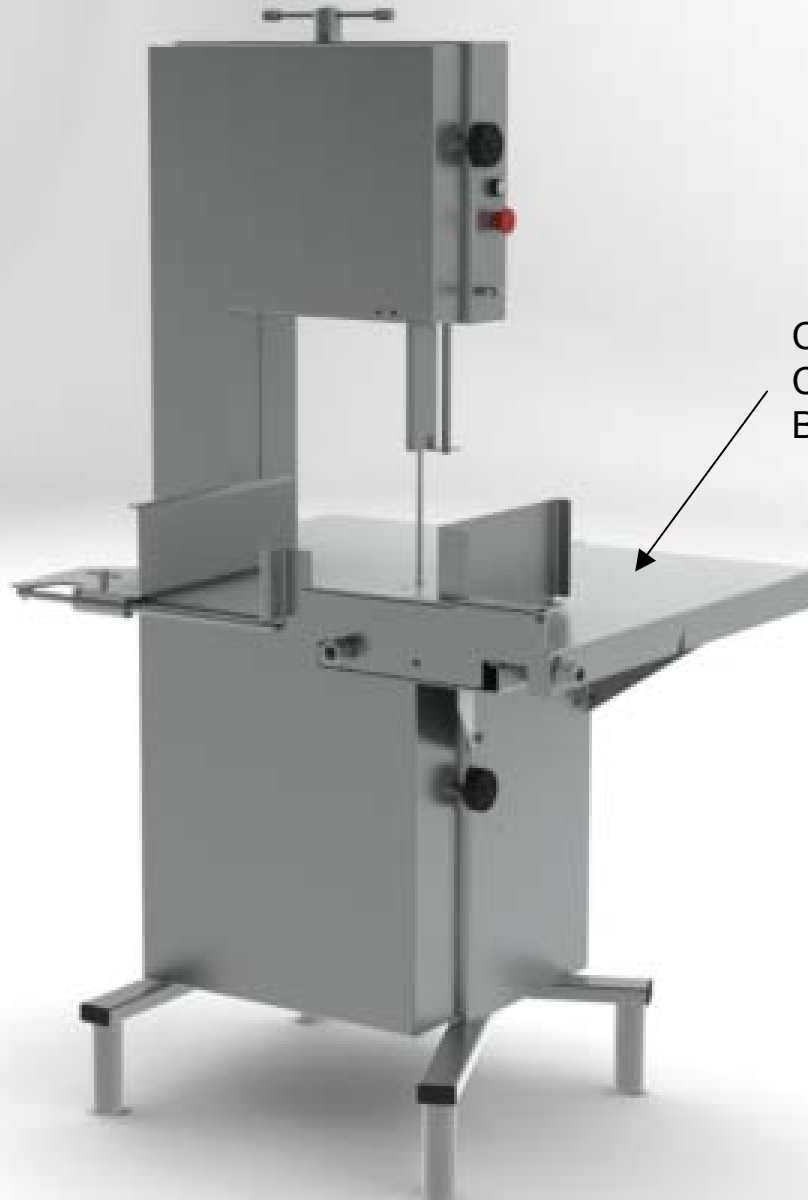
Mesa fija
Table fixe
Fix table



Empujador
Poussoir
Pusher

BGR-M

Mesa móvil
Chariot amovible
Bearing table



Carro móvil
Chariot amovible
Bearing table

BGR-M

Mesa móvil
Chariot amovible
Bearing table



Carro móvil
Chariot amovible
Bearing table

BGR-M

Mesa móvil
Chariot amovible
Bearing table



Carro móvil
Chariot amovible
Bearing table

BGR-M

Mesa móvil
Chariot amovible
Bearing table



Carro móvil
Chariot amovible
Bearing table

BGR-M

Mesa móvil
Chariot amovible
Bearing table



Carro móvil
Chariot amovible
Bearing table

BGR-R

Mesa Rampa
Table Rampe
Ramp table



Mesa Rampa
Table Rampe
Ramp table

BGR-R

Mesa Rampa
Table Rampe
Ramp table



Mesa Rampa
Table Rampe
Ramp table

BGR-B

Mesa Inclinada
TableInclinée
Banked table



Mesa Inclinada
TableInclinée
Banked table

BGR-B

Mesa Inclorada
TableInclinée
Banked table



Mesa Inclorada
TableInclinée
Banked table

BGR-F (I)

Mesa fija
Table fixe
Fix table



version
IZDA

BGR-M (I)

Mesa móvil
Chariot amovible
Bearing table



version
IZDA

BGR-M (I)

Mesa móvil
Chariot amovible
Bearing table



version
IZDA

BGR-M (I)

Mesa móvil
Chariot amovible
Bearing table



version
IZDA

BGR-R (I)

Mesa Rampa
Table Rampe
Ramp table



version
IZDA

BGR-B (I)

Mesa Inclinada
TableInclinée
Banked table



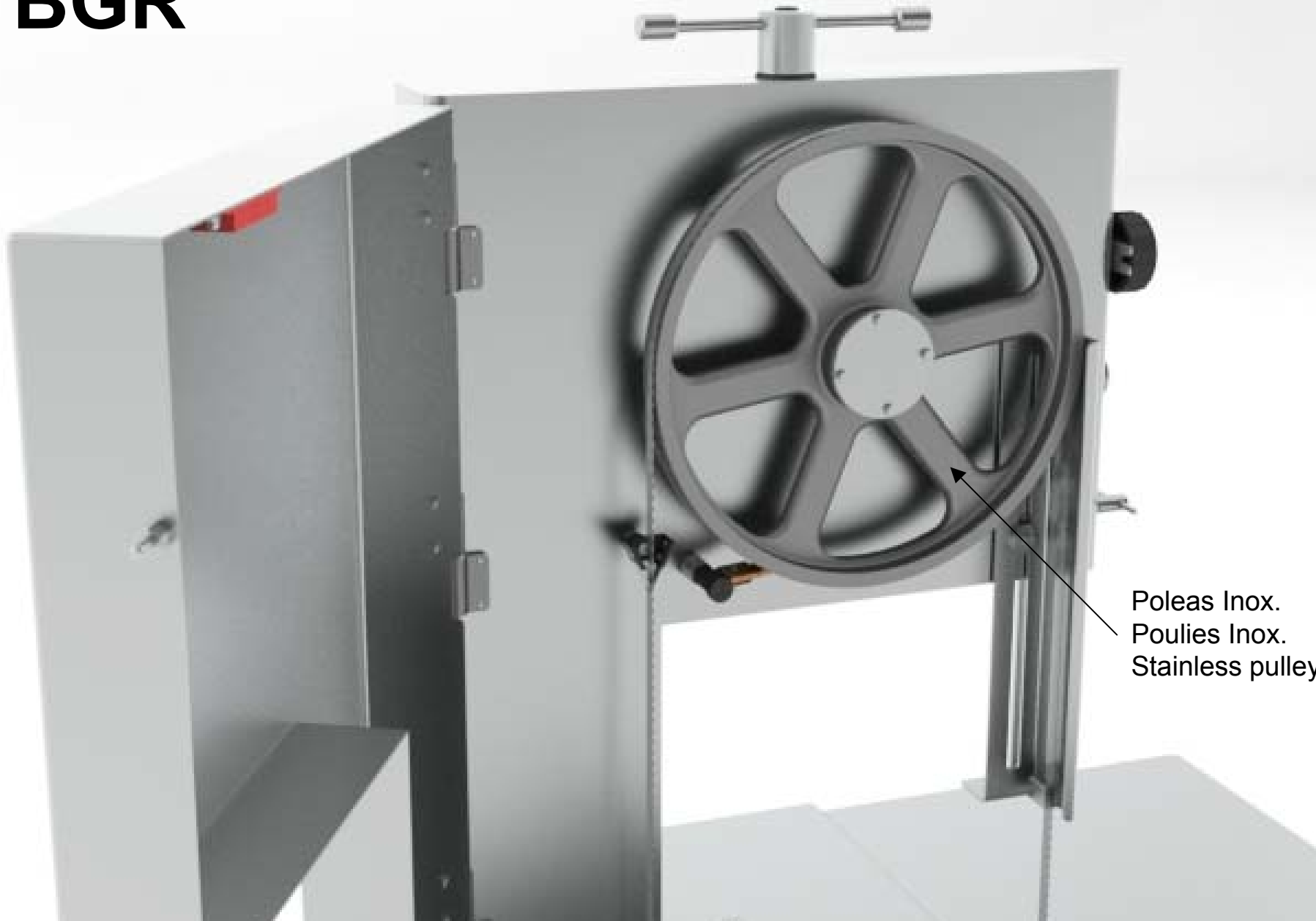
version
IZDA

BGR



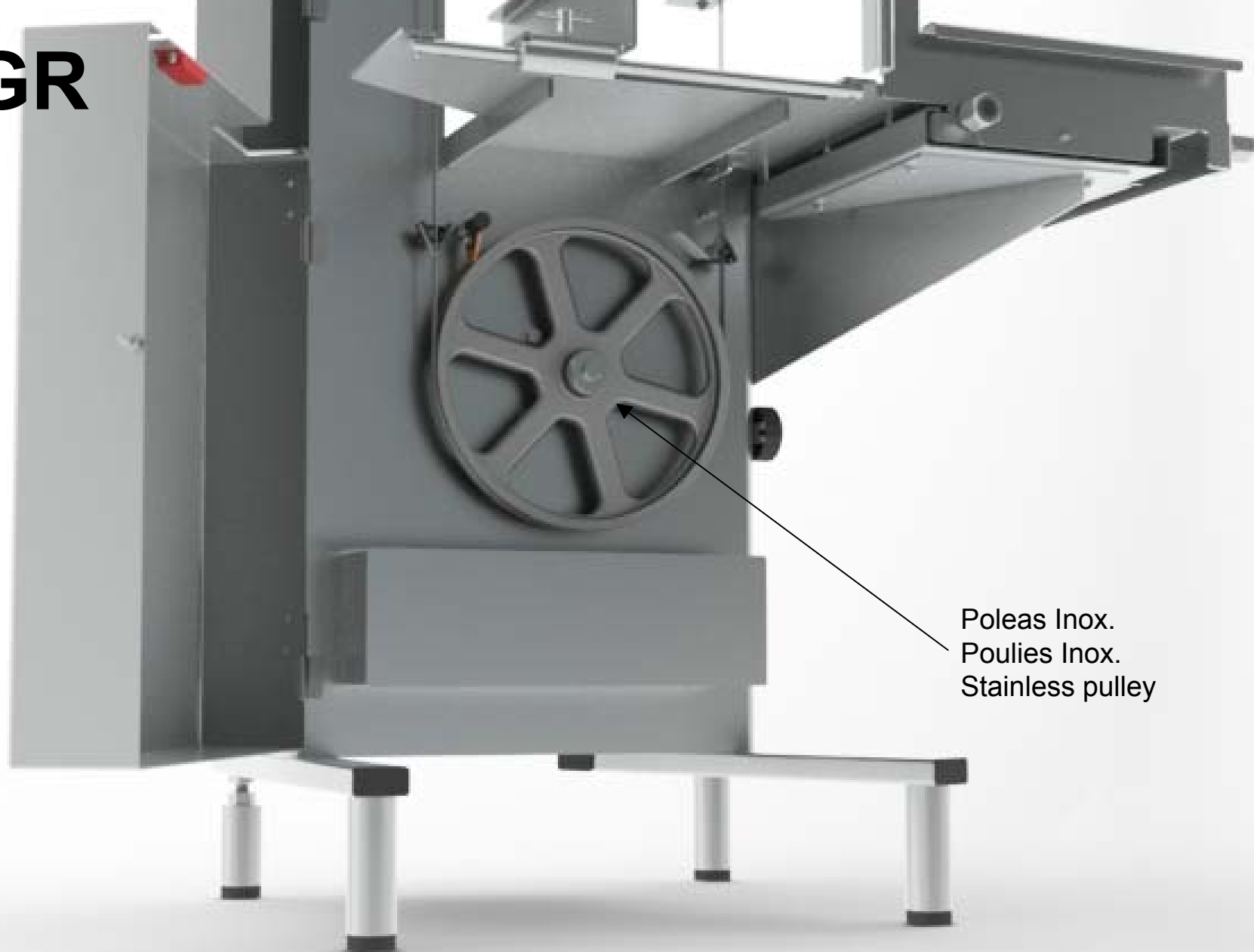
Poleas Inox.
Poulies Inox.
Stainless pulley

BGR



Poleas Inox.
Poulies Inox.
Stainless pulley

BGR



Poleas Inox.
Poulies Inox.
Stainless pulley

BGR



Tope regulable
Buttoir réglable
Adjustable thickness plate

